

STANDARD SETTING

terminator for data
terminator for handshake
transfer of control signal
null modem

100 Ω
100 Ω
DTR, DSR_DCD
RTS_CTS

TECHNICAL PARAMETERS

transferred signals

RxD,TxD,DTR,DSR
or RTS,CTS

maximal transfer rate

115 kBd

maximal line length

1 200 m

galvanic separation

1 kV

overvoltage (soft) protection – line RS485

600W/1ms

overvoltage (soft) protection – power supply

600W/1ms

power supply polarity inversion protection

diode

optical indication

all transferred

terminator

100 Ω

connector RS232c

D-SUB 25 pin F (M)

connector RS422

D-SUB 09 pin M

power supply

9 to 30V DC

power consumption

max 1.5 W

operating temperature

0 to 70 °C

storage temperature

-40 to 100 °C

dimensions

90 x 20 x 54 mm



MINI serie

MINI 2.2/422

one channel converter

RS 232 - RS 422

with full galvanic isolation

WARRANTY CONDITIONS

ComErgon provides full warranty of 12 month for serial interface module MINI 2.2/422 starting on the day of purchase.

The warranty is except for the cases in which the functioning of the module has been affected by faulty manipulation, natural catastrophes or other external factors.

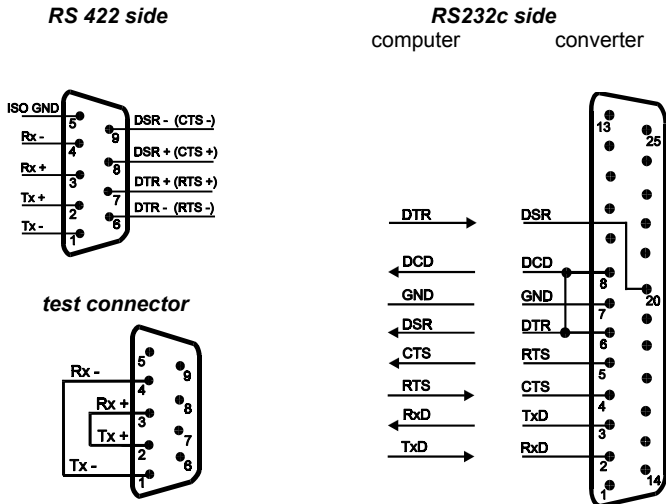


tel.: +421-2- 4445 8783
tel./ fax.: +421-2- 4425 9006

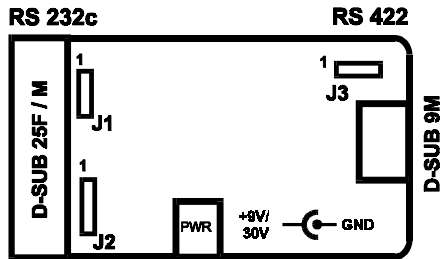
Pionierska 15, 831 02 Bratislava
Slovak Republic
e-mail: service@comergon.sk
http: www.comergon.sk



INPUT AND OUTPUT CONNECTOR



LAYOUT OF JUMPERS AND CONNECTORS



CONNECTION OF TWO MODULES

module 1 pin	module 2 pin
FULL DUPLEX + HANDSHAKE	
(Tx -) 1	→ 4 (Rx -)
(Tx +) 2	→ 3 (Rx +)
(Rx -) 4	← 1 (Tx -)
(Rx +) 3	← 2 (Tx +)
ISO GND 5	5 ISO GND
(DTR - / RTS -) 6	→ 9 (DSR - / CTS -)
(DTR+ / RTS+) 7	→ 8 (DSR+ / CTS+)
(DSR - / CTS -) 9	← 6 (DTR - / RTS -)
(DSR+ / CTS+) 8	← 7 (DTR+ / RTS+)

SELECTION OF OPERATING MODES

SETTING FOR DATA		
JUMPER	PIN	FUNCTION
J3 terminator	3 - 4	100 Ω
	-	disconnected
SETTING FOR HANDSHAKE		
JUMPER	PIN	FUNCTION
J2 transmitter	3 - 4	DTR
	2 - 3	RTS
J1 receiver	1 - 2	CTS
	2 - 3	DSR_DCD
J3 terminator	1 - 2	100 Ω
	-	disconnected
J2 null modem	1 - 2	RTS CTS
	4 - 5	DTR DSR DCD